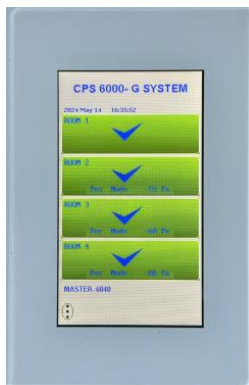


CPS6000-G System

User's Manual

Rev. 1.0 2024-05-14



1 INTRODUCTION

Thank you for purchasing the CPS6000-G.

The CPS6000 version 2 was released in the start of 2024. Version 2 has a faster and more advanced microprocessor.

The Panel is made by Glass for easy cleaning.

System 6000 is a unique system in it's flexibility and ease of use. The system can monitor and alarm for up to 4 rooms at the same time. Adding slave panels that can be individually configured makes the system even more versatile.

The function of the display unit combined with the high accuracy pressure transmitter 6280 utilizing a sealed membrane (capacitive technique) will assure that there is no air moving between the monitored areas. This will prevent that bacteria's can't move to the protected area through the sensor. Another advantage is that the sensor will not be influenced by dust that can cause errors.

LOW INSTALLATION COST

The system is based on intelligent pressure sensors that are equipped with Modbus communication, this will result in low installation cost, and easy start-up compared to traditional systems that are using analogue signals.

The Modbus system will only require 2 cables, one for power and one for communication. Since the system is based on advanced programming it is easy to add rooms or slave panels after installation.

SAFETY

The concept is simple, the CPU 6000 will normally display GREEN when everything is ok and RED when there is an alarm condition (User configurable).

With the slave units it's easy to inform concerned staff, the condition of the rooms that are of interest for them, for example install a slave panel inside the patient room.

2 General Note

The CPS-6000-G System

- One Room or all Room can be displayed by touching on the display.
- The “Alarm” Rooms shows immediately.
- If more than one Room has Alarm, shows all Rooms.
-
- The CPS6000 can be set in **NO ISOLATION** or **SERVICE** mode.
- An “Alarm” activates: **Display, Sound, Relay** and **MODBUS** registers.
- The “Alarm” can be delayed by: **Start Delay, Mute Delay.**
- **Touching on the bell starts Mute function.**
-



7 Menu-system

MAIN MENU

A- CONFIG:

- 1- Ext Comm
- 2- Int Comm
- 3- Display
- 4- Language
- 5- Room Mode
- 6- Date RTC
- 7- Time RTC
- 8- MASTER / SLAVE

B- Room Setup:

- 1- Rooms Name,
- 2- On/Off,
- 3- Device Address,
- 4- Alarm Levels,
- 5- Delay time.

C- Alarm:

- 1- Alarm On/Off,
- 2- Start Delay,
- 3- Mute Time,
- 4- Door Open Delay

D- **Auto Zero:** Zeroing FG6280 units.

E- Sound:

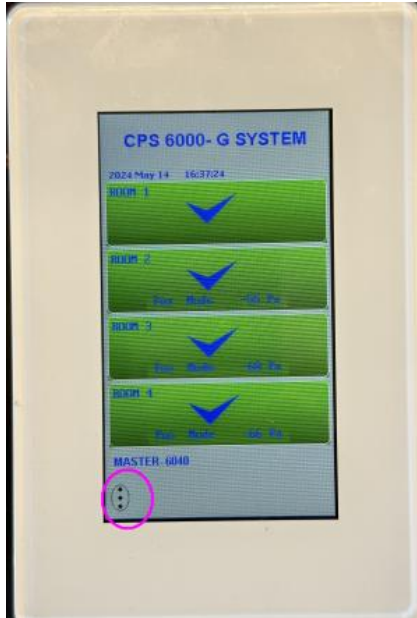
- 1- Touch Screen Beep On/Off
- 2- Alarm Sound On/Off

F- **Info:** Displays Version, Comm parameters

G- **Header Text:** User Defined Name (30 char)



MAIN MENU



The “MENU” can be opened by touching on the left down of the display.
The Password window will be appeared.
The right password gives you access to see and change almost all-important parameters both in CPS-6000 and FG6280 units.



[MENU](#)

CONFIG:

A- External Com

- 1- Com Baud rate (9600, 19200, **38400**, 57600,
115200, 230400, 460800, 921600)
- 2- Stop Bit (**1,2**)
- 3- Parity (**None**, Odd, Even)

B- Int Comm

- 1- Com Baud rate (9600, 19200, **38400**, 57600,
115200, 230400, 460800, 921600)
- 2- Stop Bit (**1,2**)
- 3- Parity (**None**, Odd, Even)

C- Display

- 1- Show Meny Buttons (**Hide**, Visible)
- 2- Show Pressure Values (Hide, **Visible**)

D- Language

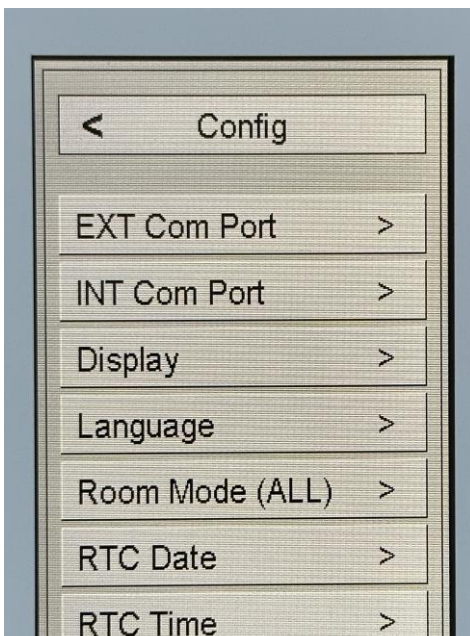
- 1- **English**
- 2- Dutch

E- Room Mode

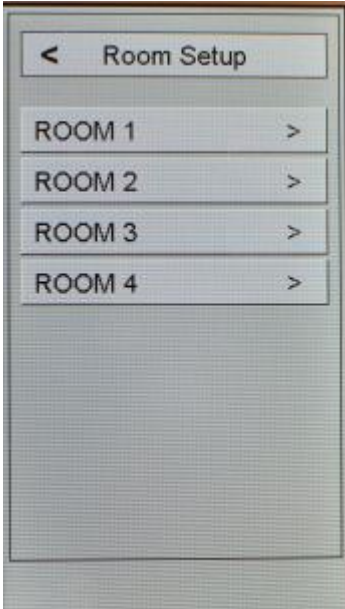
- 1- **Positive Mode 0**
- 2- Negative Mode 1
- 3- No Isolation 2
- 4- Service 3

F- Master / Slave Select **MASTER**

Note: (**Default**) values



MENU



Room Setup:

- 1- Rooms Name (20 chars)
- 2- Status (On / Off)
- 3- Device Address,
- 4- Alarm High Level (Pos Mode)
- 5- Alarm Low Level (Pos Mode)
- 6- Alarm Delay Time (Pos Mode)
- 7- Alarm High Level (Neg Mode)



Alarm:

- 1- Alarm On/Off,
- 2- Start Delay,
- 3- Mute Time,
- 4- Door Open Delay

Auto Zero:

- 1- Zeroing FG6280 unit 1.
- 2- Zeroing FG6280 unit 2.
- 3- Zeroing FG6280 unit 3.
- 4- Zeroing FG6280 unit 4.
- 5- Zeroing All FG6280 units.

Sound:

- 1- Touch Screen Beep On/Off
- 2- Alarm Sound On/Off

INFO:

Displays Version, Comm parameters.

Header Text:

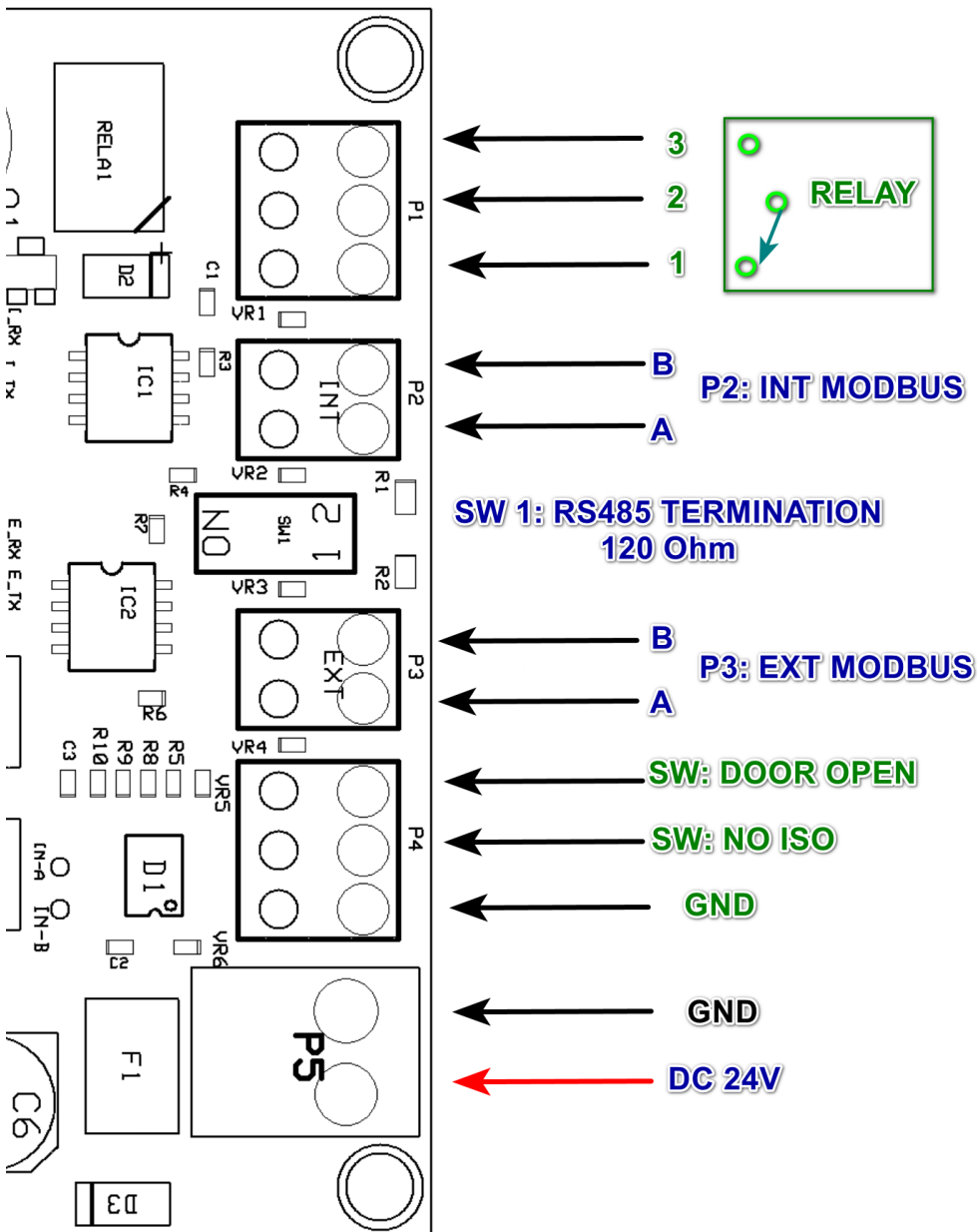
User Defined Name (30 char)

Service Text:

User Defined Name (30 char)

5 Wiring

Connect the power supply to the CPS and the pressure transmitters, see connection diagram.



8 General installation instructions

Please make sure to the polarity right.

Make sure to use suitable RS485 cable. For short distances this is usually not any problems. Use termination on the end of line.

If you have several sensors, only connect the one to start with, when everything is running, the next sensor can be added. Every FG6280 has unique device address.

The CPS6000-G Configuration

“EXT-Com Port” is preconfigured as the default:

- Device Address 12,
- Baud Rate 38400,
- 1 Stop,
- Non-Parity.

“INT-Com Port” is preconfigured as the default:

- Baud Rate 38400,
- 1 Stop,
- Non-Parity.
- Address 5,6,9 and 10 (See “ROOM SETUP”)
-

The **FG6280** should be configured to right addresses and comm parameters.

Default:

- Address 5,
- Baud Rate 38400,
- 1 Stop,
- Non-Parity.

2 Power supply

The 24 Volt Dc supply should be mounted in a location where it’s easy to connect the transmitters and the CPS panel. The number of connected system depends on the supply rating.

